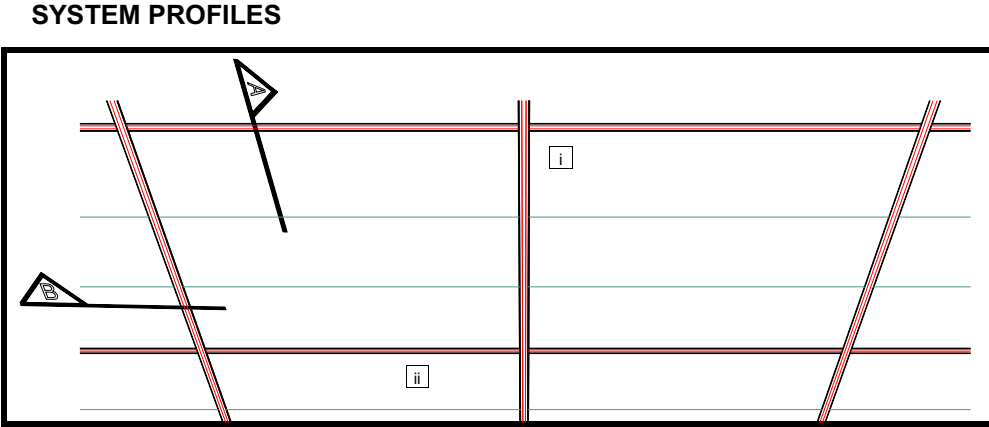
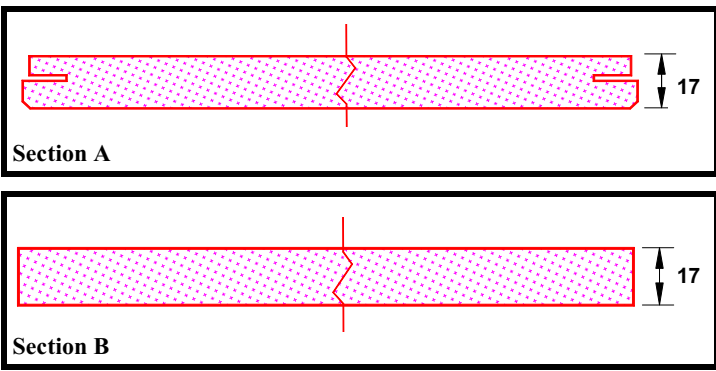
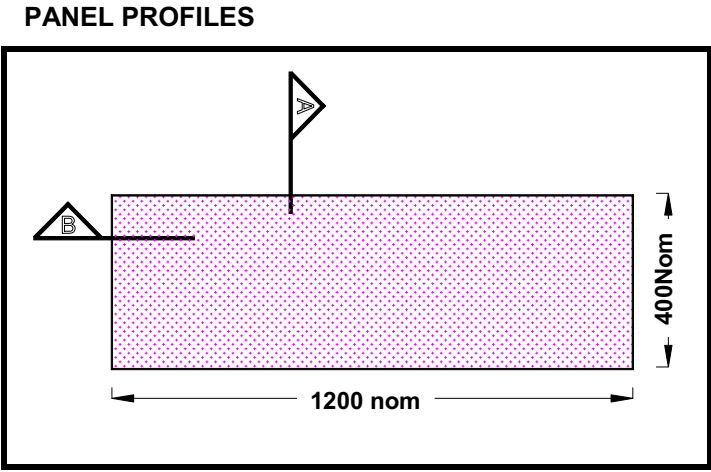


# CEILING SYSTEM PROPOSAL

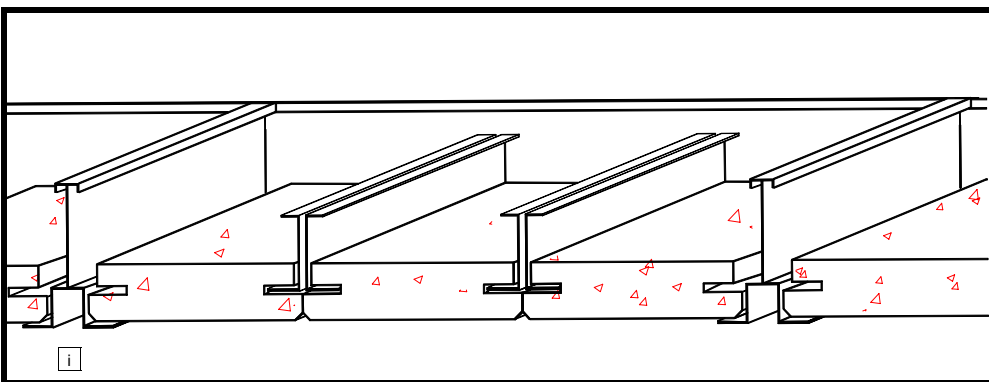


**FOR:**  
**DATE:**  
**PROJECT SIZE:**

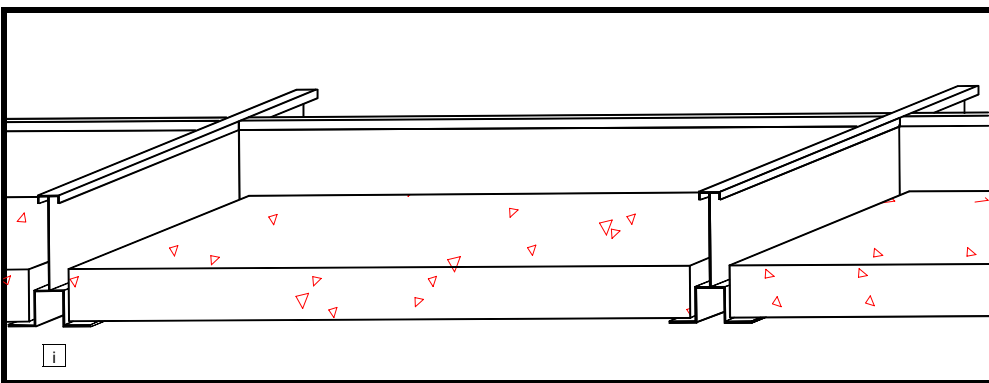
**TYPE:** **MODULAR**  
**SIZE :** 1200 x 1200 or 1350 x 1350mm  
**GRID TYPE:** Aluminium. Top Hat 25 / 32mm  
**PANEL TYPE:** Prima RH95 (K2C2 edge )  
**PANEL PATTERN:** Fine Fissured, Adria, Dune, Ultima



- KEY ADVANTAGES**
- i** Up market visual
  - ii** Good Plenum Access
  - iii** Flexibility in Light Placement
  - iv** Less Exposed Grid



- SECTION A**
- i** Top Hat Cross Runners
  - ii** 400/450 mm wide K2C2 panel.
  - iii** Independant splines provide strength.
  - iv**



- SECTION B**
- i** Main Runner @ 1200/1350 Centres.
  - ii** Top Hat (Shadow Line ) Visual.
  - iii** Square edge panel ends
  - iv**