

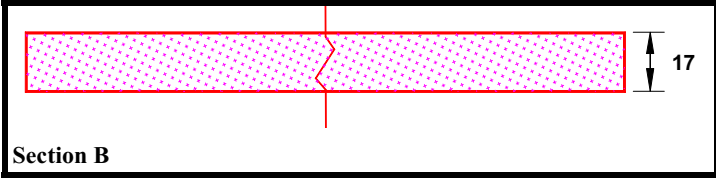
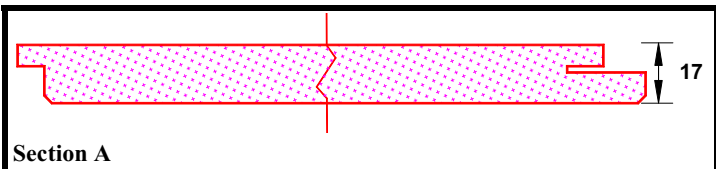
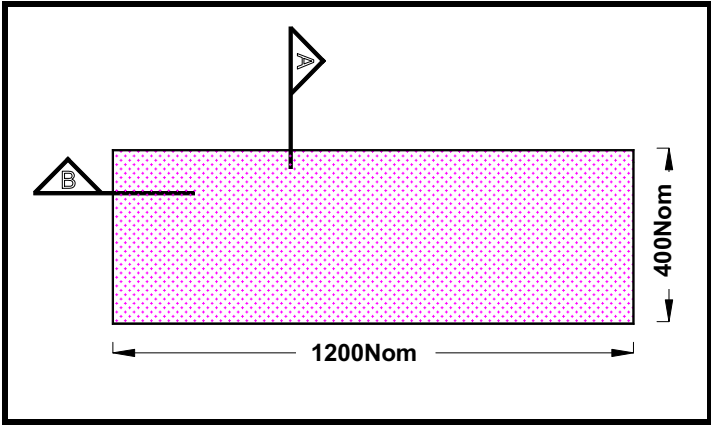
# CEILING SYSTEM PROPOSAL



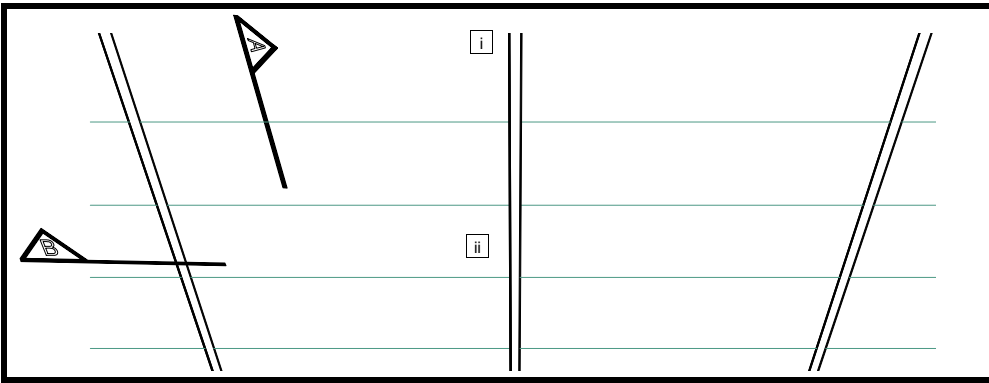
**FOR:**  
**DATE:**  
**PROJECT SIZE:**

**TYPE:** **ONE WAY EXPOSED**  
**SIZE :** a)1200 x 400 b)1350 x 450  
**GRID TYPE:** Aluminium. Tee Bar 24mm  
**PANEL TYPE:** Prima RH95 - Shiplap Edge  
**PANEL PATTERN:** Ultima, Dune, Adria or Fine Fissured

## PANEL PROFILES

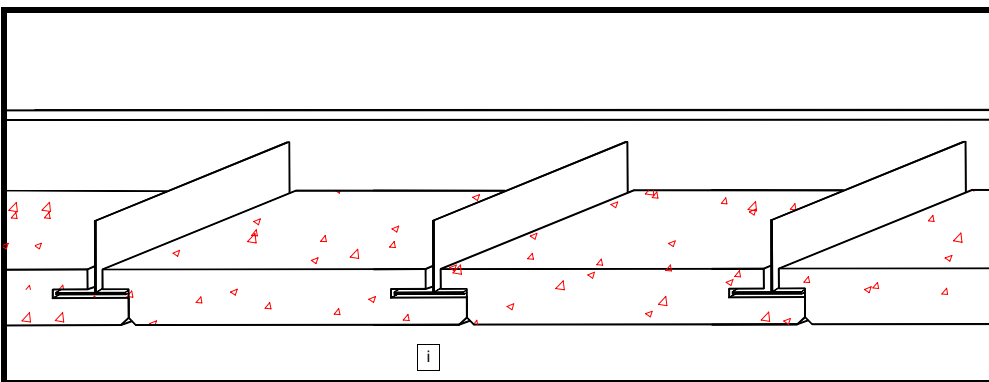


## SYSTEM PROFILES



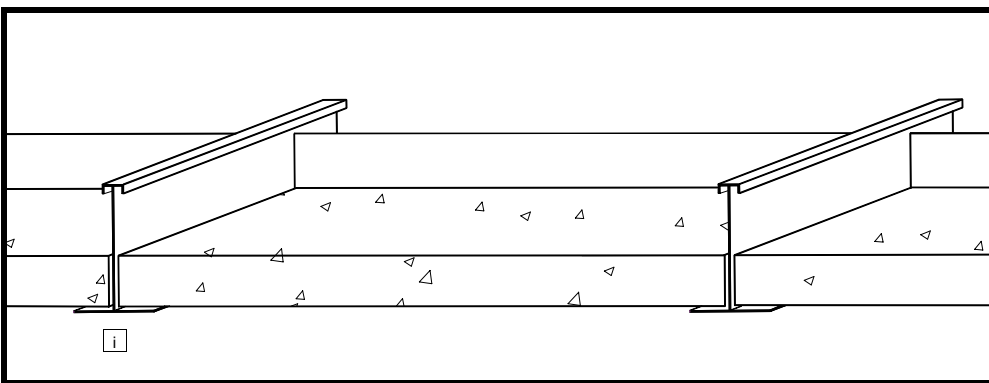
### KEY ADVANTAGES

- i** Most Up-market Visual
- ii** Grid Exposed In One Direction
- iii**
- iv**



### SECTION A

- i** Concealed Tee Splines
- ii** Shiplap panel edges
- iii**
- iv**



### SECTION B

- i** Exposed Main Tee Bar
- ii** Square edge panel - ends
- iii**
- iv**