

CEILING SYSTEM



GENERAL PURPOSE

SPECIAL APPLICATION – Standing Water / Pools

SPECIAL APPLICATION – Clean Rooms

TYPE: **TWO WAY EXPOSED - LAY IN BOARD**

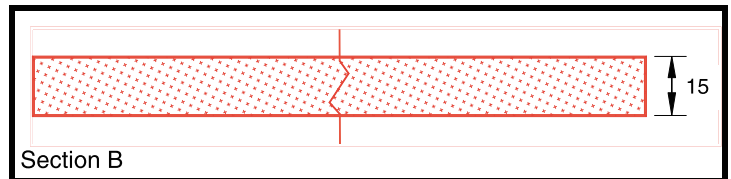
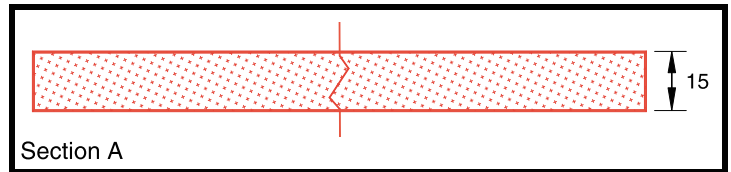
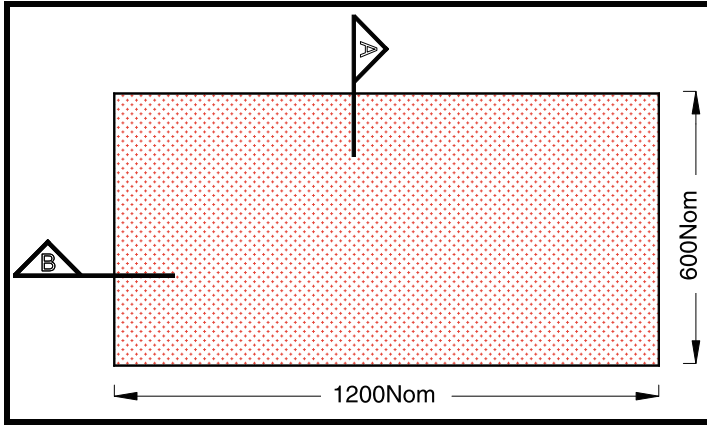
SIZE : 1200 x 600 or 1200 x 400, other

GRID TYPE: Aluminium, 24mm
(38mm – Clean Rooms)

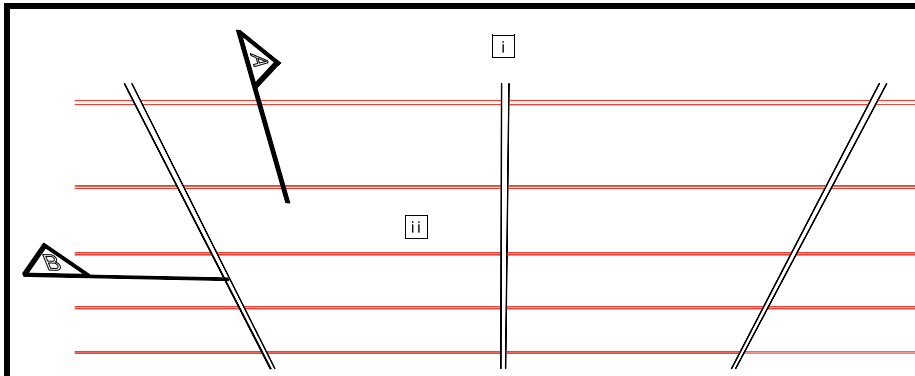
PANEL TYPE: RH95/99 – Square Edge

PANEL PATTERN: Ultima, Dune, Textura or Fine Fissured
Pools – Fine Fissured Ceramaguard
Clean Room – Mylar, VL

PANEL PROFILES

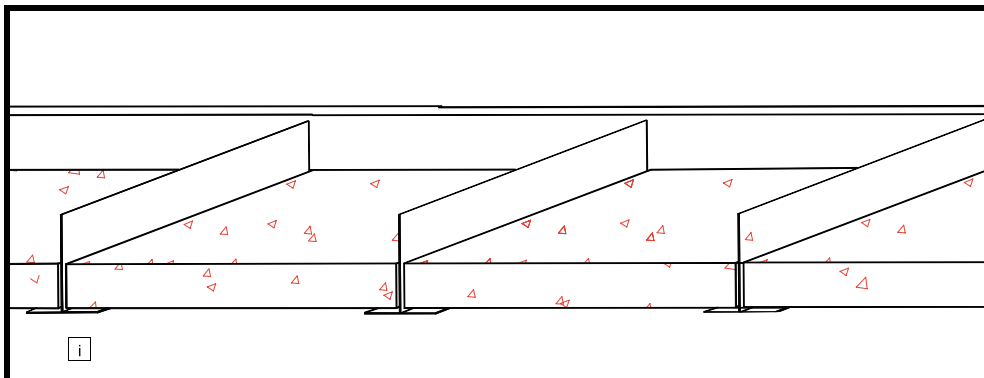


SYSTEM PROFILES



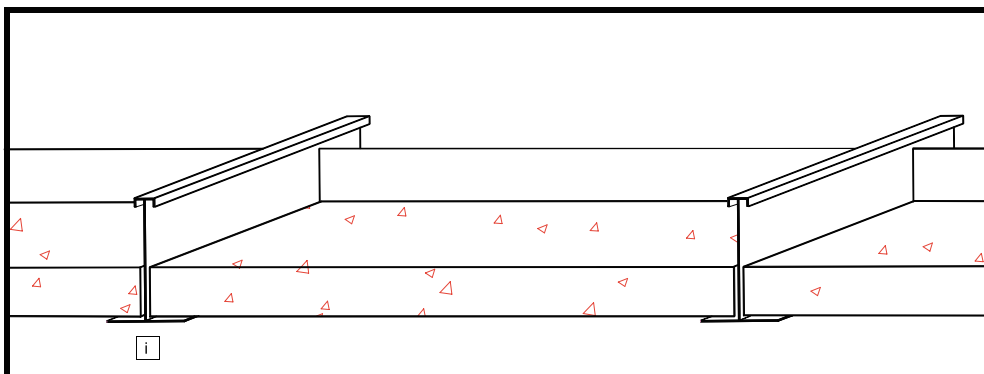
KEY ADVANTAGES

- i** Cost Effective
- ii** Accessible
- iii** Lowest Maintenance Costs
- iv** Standard Components



SECTION A

- i** Armstrong Visual Tee
- ii** Cross Tees at 600cc
- iii** Lay In square edge panel
- iv** Clean Rooms – 38mm flange with gasket, plus hold down clips for pressure seal



SECTION B

- i** Armstrong Visual Tee
- ii** Main tees at 1200cc
- iii** Lay in square edge panels
- iv** Clean Rooms – 38mm flange with gasket, plus hold down clips for pressure seal

CEILING SYSTEM



GENERAL APPLICATION – TEGULAR

TYPE: **TWO WAY EXPOSED-TEGULAR**

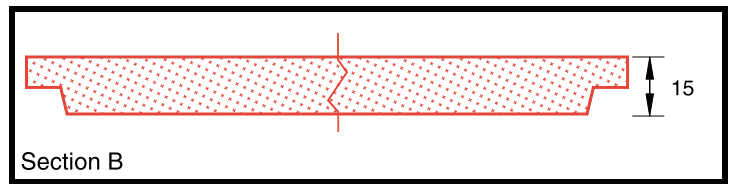
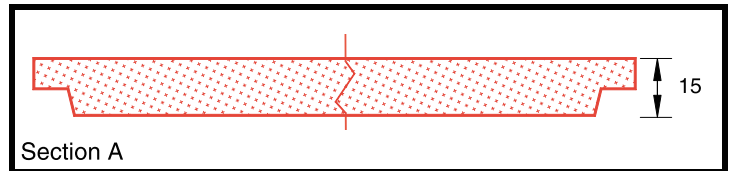
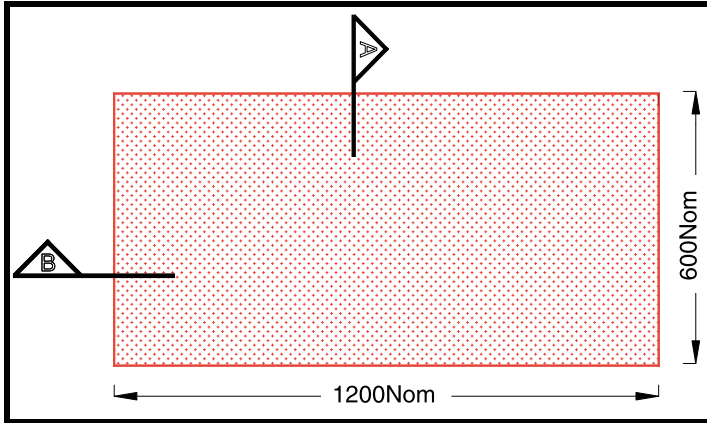
SIZE : 1200 x 600 or 1200 x 400, other

GRID TYPE: Aluminium 24 or 14mm

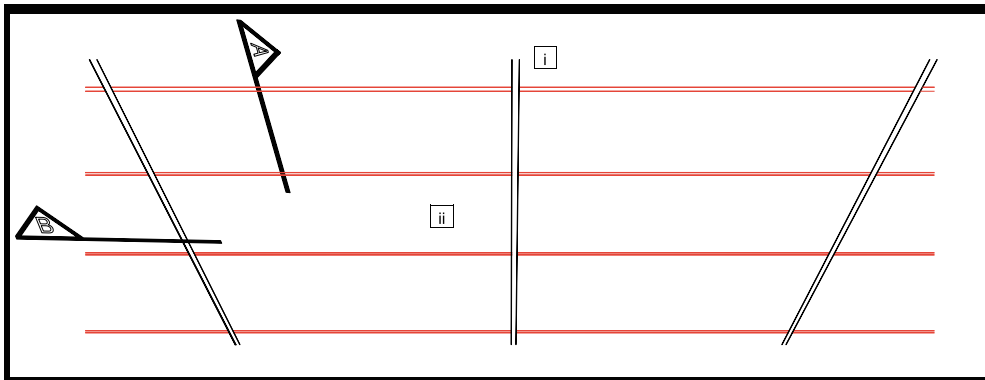
PANEL TYPE: RH95/99 – Angled or Beveled Tegular

PANEL PATTERN: Ultima, Dune, Textura or Fine Fissured

PANEL PROFILES

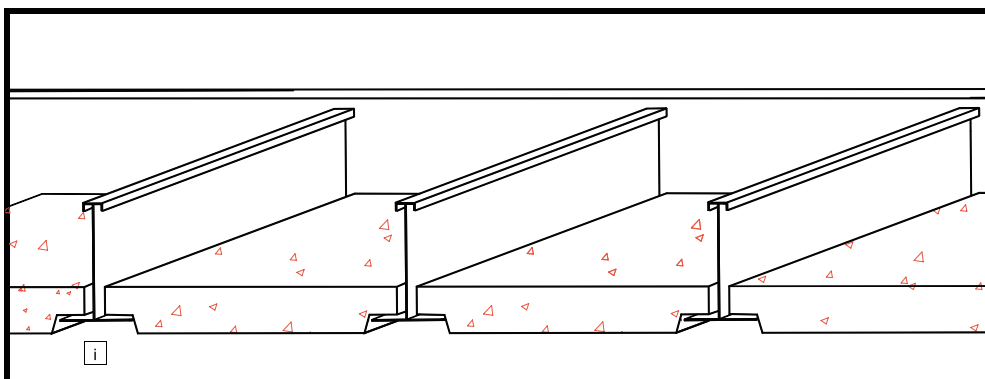


SYSTEM PROFILES



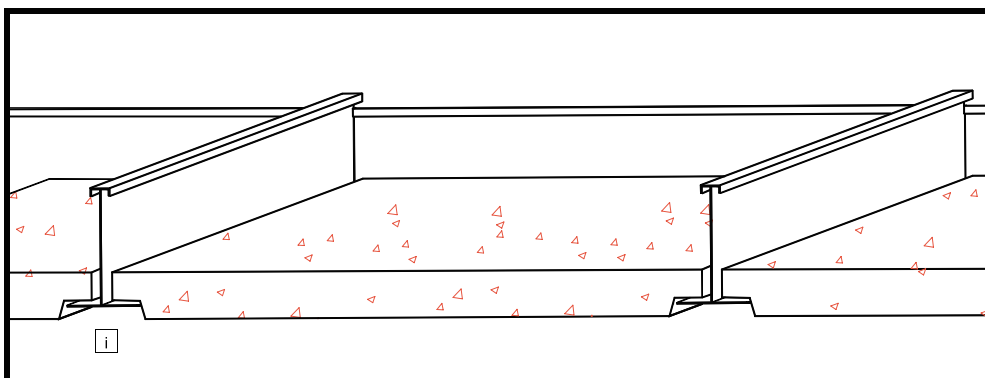
KEY ADVANTAGES

- i** Cost Effective
- ii** Standard Components (12 x 6)
- iii** Full Accessibility
- iv** Low Maintenance Costs



SECTION A

- i** Armstrong Visual Tee
- ii** Cross Tees @ 600cc
- iii** Recessed Edge Panels
- iv**



SECTION B

- i** Visual Tee
- ii** Main Runners @ 1200cc
- iii** Recessed Edge Panels
- iv**