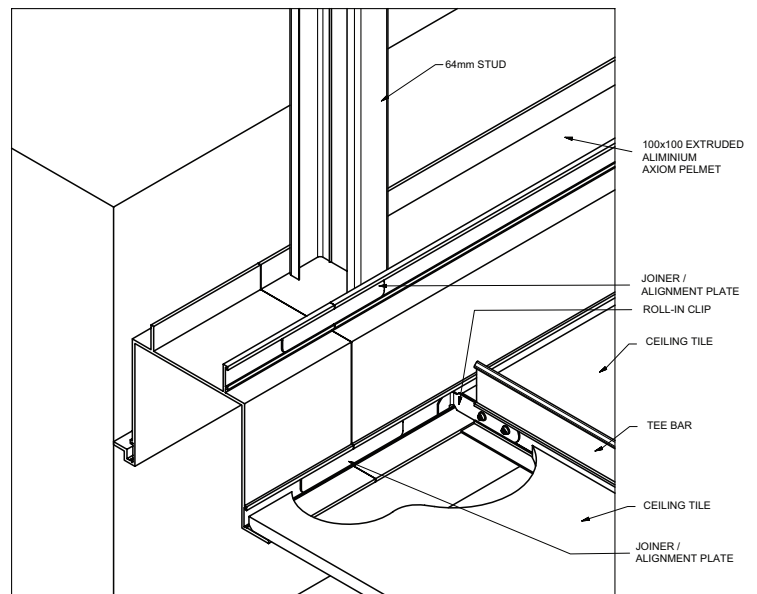


CEILING SYSTEMS

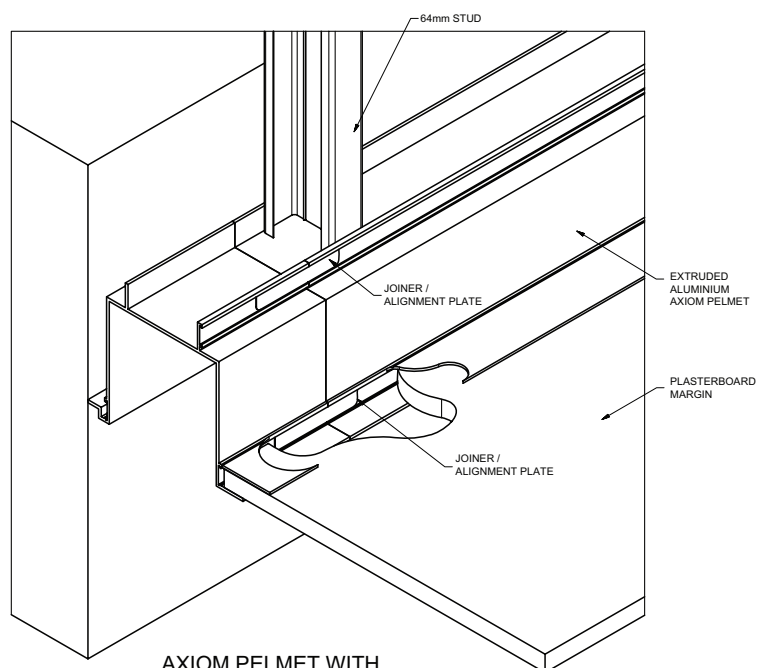
Between us, ideas become reality®

Axiom Pelmet

Armstrong Axiom Pelmet is a pre-engineered and factory finished perimeter solution for the simple location and fixing of blinds or curtains. Axiom Pelmet provides simple transition between a building facade and the main ceiling system.



AXIOM PELMET WITH CONNECTION TO CEILING GRID SYSTEM



AXIOM PELMET WITH CONNECTION TO SET PLASTERBOARD CEILING

CEILING SYSTEMS

Between us, ideas become reality®

Features

Dual Application: Armstrong Axiom Pelmet's accommodate simple transition to either a set plaster or grid ceiling system.

Installation: The Axiom Pelmet profile is positioned adjacent to the building perimeter, typically adjacent to a window head and is mechanically fixed (from above) via standard '64mm studs' and connected at ends via standard Joiner Plates. Note: It is recommended that the Axiom Pelmet be trimmed on site with drop saw to achieve exact size and squareness at ends.

Grid Ceiling Connection: Following removal of 'snap off' leg on Axiom Pelmet, connect to PeakForm (steel) or Blue Tongue (aluminium) Tee Bars using 'Roll In' Clips.

Plasterboard Ceiling Connection: The Axiom Pelmet accommodates 13mm plasterboard, which simply sits on the leading flange and is screw fixed from beneath into the 'snap off' leg.

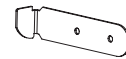
Material: Extruded aluminium

Finish: Polyester powdercoat: Colour to be equivalent to Dulux Satin White

Dimensions: 3600 x 100 x 100mm

Item No. ZL-8483-3600

Accessories:

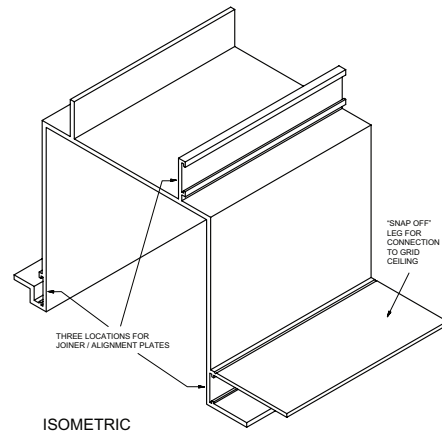
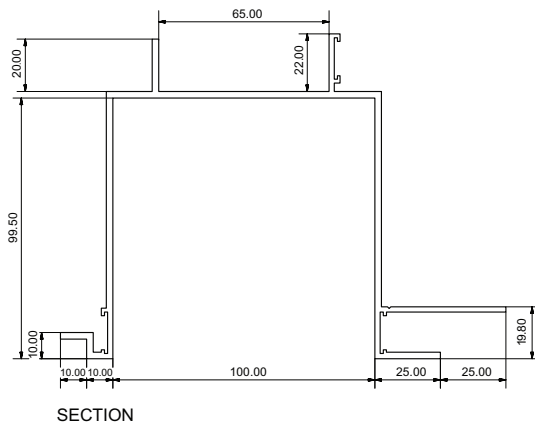


Joiner/alignment plate
Item: ALMRJS

Roll In Clip
Item: ALRICS

Options: Other profiles are available upon request, including integration with linear / punched slot air diffusers. More details are available in the Armstrong Blue Tongue Brochure, or contact your Armstrong office.

Guarantee: 10 year limited or 30 years in conjunction with Armstrong PeakForm or Blue Tongue and Ceiling Panel System.



NSW

Armstrong World Industries Pty. Ltd.
99 Derby Street
Silverwater NSW 2128
Telephone (02) 9748 1588
Facsimile (02) 9748 8449

QLD/NT

Armstrong World Industries Pty. Ltd.
6 Barrinia Street
Slacks Creek QLD 4127
Telephone (07) 3809 5565
Facsimile (07) 3809 5507

WA

Ceiling Manufacturers of Australia Pty. Ltd.
5 Irvine Street
Bayswater WA 6053
Telephone (08) 9271 0777
Facsimile (08) 9272 2801

VIC/TAS

Armstrong World Industries Pty. Ltd.
29-39 Mills Road
Braeside VIC 3195
Telephone (03) 9580 9633
Facsimile (03) 9587 5139

SA

Up-Side Building Systems
376 Cormack Road
Wingfield SA 5013
Telephone 1300 UPSIDE
Facsimile (08) 8349 5956

New Zealand

Forman Building Systems Ltd.
PO Box 12349
Penrose, Auckland
Telephone 64-9-276 4000
Facsimile 64-9-276 4141

www.armstrongceilings.com.au

